

Wave Armor

PREMIUM RESIDENTIAL AND COMMERCIAL FLOATING DOCKS AND PORTS



2019 PRODUCT CATALOG



**BUILT
TO LAST A
LIFETIME!**



INNOVATIVE OUTDOOR SOLUTIONS **IOS** FAMILY OF BRANDS



INNOVATION DRIVEN BY PASSION

Wave Armor® is a proud member of the Innovative Outdoor Solutions (IOS) family of brands, founded and owned by Rick Johanneck. Utilizing over 45 years of experience in rotational molding and driven by passion, Rick designed a premium quality floating dock product which has set the standard in the residential and commercial dock industry.

Our mission at Wave Armor is to be the brand of choice for waterfront homeowners and marinas by building innovative products that combine outstanding quality with a functional design. In the pursuit of perfection, the Wave Armor team is at the forefront of design and innovation consistently creating and improving products that satisfy the ever-evolving needs of our customers by delivering the industry's best floating docks, ports and accessories.

Designed like no other, Wave Armor products are setting the new standard for waterfront living and feature rotational molded and UV resistant construction that won't fade, crack or rust as well as will never need staining or painting. Filled with marine grade EPS, Wave Armor products are virtually unsinkable!

YOUR ULTIMATE WATERFRONT

GETAWAY!

TABLE OF CONTENTS

Planning Your Wave Dock	Page 6
Wave Docks	Page 8
Wave Dock Accessories	Page 16
PWC Wave Ports	Page 23
Boat Ports	Page 30
Island Swim Raft	Page 33
Kayaks	Page 34
Coolers	Page 35

Wave
Armor

MAKING LIFE ON THE WATER EASIER.

Modular design allows Wave Armor® Docks and Ports to be assembled into an infinite number of layouts to obtain the exact configuration desired. Complete your dock design with a full line of accessories that integrate beautifully within the dock system for a look above any other dock on the market.



VERSATILITY FOR COMMERCIAL AND RESIDENTIAL

Whether you are a resort or marina owner in need of a commercial dock configuration or a lake homeowner looking to enhance your shoreline experience, the Wave Armor Dock systems leads the way in innovation, versatility, strength and design.

LIFE BEYOND

THE

SHORELINE



W FIVE
Armor



PLAN YOUR DREAM DOCK

VISIT: WWW.WAVEARMOR.COM/DOCK-BUILDER

Use our Custom Dock Builder to customize your dream dock from your computer or tablet. Here you can layout and customize your dock, save, print and email your dock build, and even submit your very own dock build for a quote request. Our customer service team is available to help you along the way with any questions you might have.



GETTING STARTED

STEP 1: SIZE AND SHAPE

Determine what size and configuration will suit your needs. Do you need an U-Shaped, T-Shaped, L-Shaped, or Extended Surface Area? Do you have a boat? Personal Watercrafts? Kayaks, Paddleboards? How you use your dock will help determine the layout.

STEP 2: LOCATION, LOCATION

Evaluate your waterfront location's depth, bottom composition and potential for fluctuating water levels. This will help you choose from a wide variety of mounting options.

STEP 3: ACCESSORIZE

Decide which accessories will enhance your enjoyment of the waterfront life. Wave Armor accessories create a fully integrated finished look and feel, while maximizing ease of use.

SUPERIOR DESIGN. STRENGTH IN INNOVATION.

Each Wave Armor modular dock section combines two RotoMolded polyethylene components - a top deck with unique Flagstone texture and a marine grade (EPS) foam filled float with specially designed pockets that vacuum-seal to the water's surface, providing superior stability.

This innovative and patented design allows for infinite configuration options and the ability to attach an endless variety of accessories utilizing hidden connection channels along the perimeter of each section.



DOCK SECTION FEATURES

1 TOP DECK

Features a beautiful Flagstone textured finish, for maintenance-free waterfront living.

2 ATTACHMENT SLOTS WITH MOLDED-IN CONNECTION CHANNELS

Molded-in along the perimeter for attaching an endless variety of Wave Dock Accessories with ease.

3 BOTTOM FLOAT

Unique recessed pockets on the float's underside vacuum-seal to the water's surface, providing unparalleled stability.

4 DOUBLE WALL CORRUGATED DECK

The top deck is engineered with a corrugated interior design for maximum strength and durability.

5 FOAM FILLED

Filled with marine-grade EPS (Expandable Polystyrene) foam to give our dock sections superior strength and integrity.



CROSS SECTION VIEW

30" X 60"

WAVE DOCK SECTION

30" X 60" WAVE DOCK SECTION

is Wave Armor's smallest dock section and is commonly used to increase slip space and overall dock length when needed.

ITEM #	DESCRIPTION	DIMENSIONS	WEIGHT	WEIGHT CAP
300444	30" X 60" DOCK SECTION	30" W X 60" L X 16" H	90 LBS.	600 LBS.



40" X 120"

WAVE DOCK SECTION

40" X 120" WAVE DOCK SECTION

is the perfect size dock section for creating boat slips extending from Wave Armor's main dock section (60" X 120")

ITEM #	DESCRIPTION	DIMENSIONS	WEIGHT	WEIGHT CAP
300445	40" X 120" DOCK SECTION	40" W X 120" L X 16" H	285 LBS.	2,000 LBS.



60" X 120"

WAVE DOCK SECTION

60" X 120" WAVE DOCK SECTION

is Wave Armor's largest dock section offering plenty of walking space and stability. This section is the building block of the Wave Dock System for both residential and commercial applications.

ITEM #	DESCRIPTION	DIMENSIONS	WEIGHT	WEIGHT CAP
300446	60" X 120" DOCK SECTION	60" W X 120" L X 16" H	385 LBS.	3,000 LBS.



BRIDGE DOCK SECTION

The New Bridge Dock Section by Wave Armor® is an industry leading design that allows water and debris to flow freely through it, reducing water pressure on rivers and areas with strong current and mitigating weed, algae and debris build up.

Bridge Dock sections connect seamlessly with all standard Wave Armor floating dock sections. You can integrate one or several Bridge Dock sections with standard sections, or build an entire floating-dock layout with them.

Bridge Dock sections are 100% RotoMolded, foam-filled and feature a two piece design, top deck with a flagstone textured deck surface and bottom float complete with suction pockets. They are engineered to provide the same buoyancy as Wave Armor's standard dock sections.



NEW FOR 2019

BRIDGE DOCK SECTION

60" X 120" SECTION

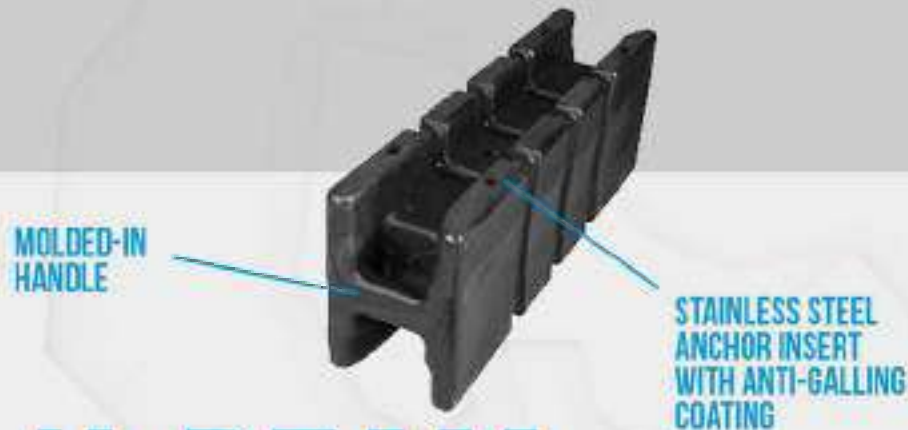
ITEM #	DESCRIPTION	DIMENSIONS	WEIGHT	WEIGHT CAP
301592	BRIDGE DOCK SECTION	60" W X 20" L X 18.5" H	410 LBS.	3,000 LBS.



THE CONNECTION THAT MAKES IT ALL POSSIBLE

With our patented H-Beam Connection System, Wave Armor Dock sections connect to each other quickly and easily. With molded-in handles, H-Beams simply slide into the molded-in H-Beam channels on any side of dock sections, offering a solid connection platform with uniform rigidity and flexibility.

Wave Armor H-Beams feature molded-in inserts that align with the slots on the top deck of each Wave Armor Dock Section allowing for a simple, hidden, secure connection.



H-BEAM CONNECTION KITS

ITEM #	DESCRIPTION	APPLICATION
300065	24" LONG H-BEAMS KIT - PAIR	CONNECT TWO 60" X 120" DOCK SECTIONS END TO END
301520	31" LONG H-BEAMS KIT - PAIR	CONNECT TWO 40" X 120" DOCK SECTIONS END TO END
300067	50" LONG H-BEAMS KIT - PAIR	CONNECT TWO 60" X 120" DOCK SECTIONS SIDE TO SIDE CONNECT TWO 60" X 120" DOCK SECTIONS END TO END



Patent No. US 8,292,547 B2

HALF ROUND DOCK ENDS

Wave Armor® Half Round Dock Ends are designed to connect at the end of your Wave Dock section to provide a soft and safe entry when docking your boat or Jet Ski or a safe, stylish and comfortable place to sit and relax with your feet in the water.

Dock Ends are 100% RotoMolded with a foam-filled interior and feature a flagstone textured deck finish to match your Wave Dock system. Molded-in mounting pockets fit mooring pipes and molded-in H-Beams connect to Wave Dock channels with ease.



DOCK ENDS

40" & 60" HALF ROUND

OPTIONAL BOLT-IN CAP 301531

Set of 2 Bolt-In caps complete the look for a sleek and seamless top deck finish.



ITEM #	DESCRIPTION	DIMENSIONS	WEIGHT	COLOR
301116	40" DOCK END	28" WIDE X 40" LONG	70 LBS.	PEBBLE BEACH
301115	60" DOCK END	40" WIDE X 60" LONG	110 LBS.	PEBBLE BEACH
301531	OPTIONAL BOLT-IN CAP	-	-	PEBBLE BEACH

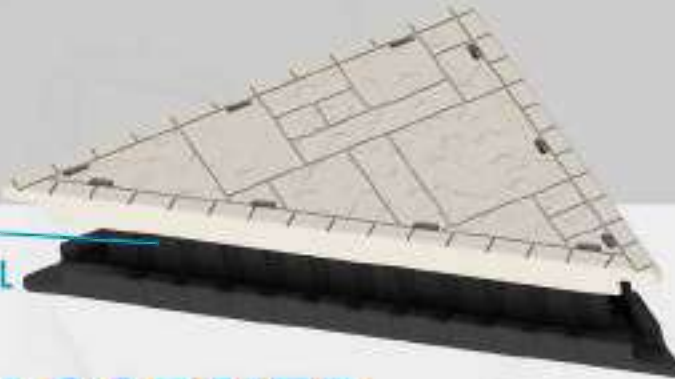
WAVE DOCK CORNERS

Wave Armor® Dock Corners provide the ability to span an inside corner of two Wave Dock Sections creating a sleek look while adding to the walkable surface area of your Wave Armor Wave Dock System.

Wave Armor Dock Corners are rotationally molded with high-impact polyethylene and H-Beam Channels on all 3 sides for added strength and durability. The Dock Corners feature a Flagstone textured finish to match your Wave Dock system.



MOLDED-IN
H-BEAM CHANNEL

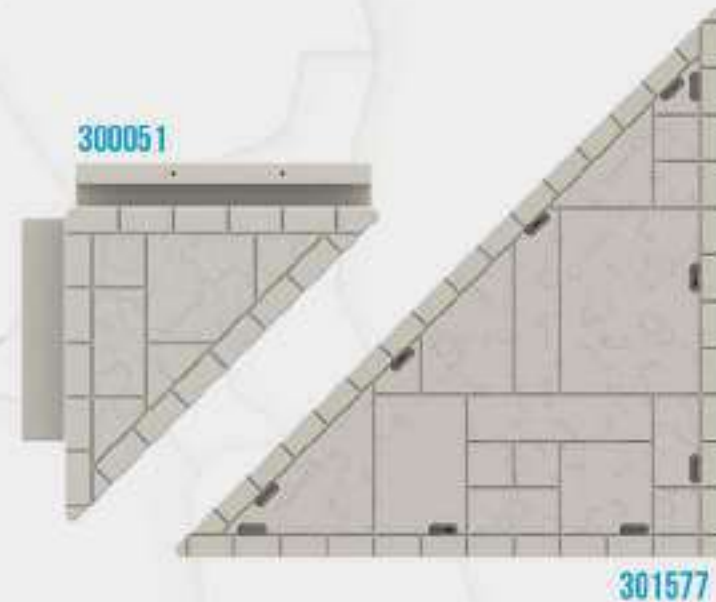


DOCK CORNER

30" & 60" DOCK CORNER

30-INCH WAVE DOCK CORNER Spans 10" across inside corners of two Wave Dock sections and features a 1-piece design with molded-in H-Beam on 1 side for quick attachment to the Wave Dock System.

60-INCH WAVE DOCK CORNER features a 2-piece design including a top deck, a foam-filled bottom float and molded-in H-Beam Channels on all 3 sides for attaching to the Wave Dock System. 1 - 50" H-Beam Kit (2 pieces) to secure to Wave Dock.



ITEM #	DESCRIPTION	DIMENSIONS	WEIGHT	COLOR
300051	30" WAVE DOCK CORNER	30" LONG	25 LBS.	PEBBLE BEACH
301577	60" WAVE DOCK CORNER	60" LONG	50 LBS.	PEBBLE BEACH

NOTE: 301577 REQUIRES 50" H-BEAM KIT (2 PIECES) 300067

WAVE DOCK WEDGES

Wave Dock Wedges connect simply with molded-in H-Beams that fit right into the channels of Wave Dock Sections, creating a 30° angle allowing finger piers/boat slips to be angled away, providing easier entry and a narrower footprint. Dock Wedges are made for both residential and commercial applications and they are available in two sizes.

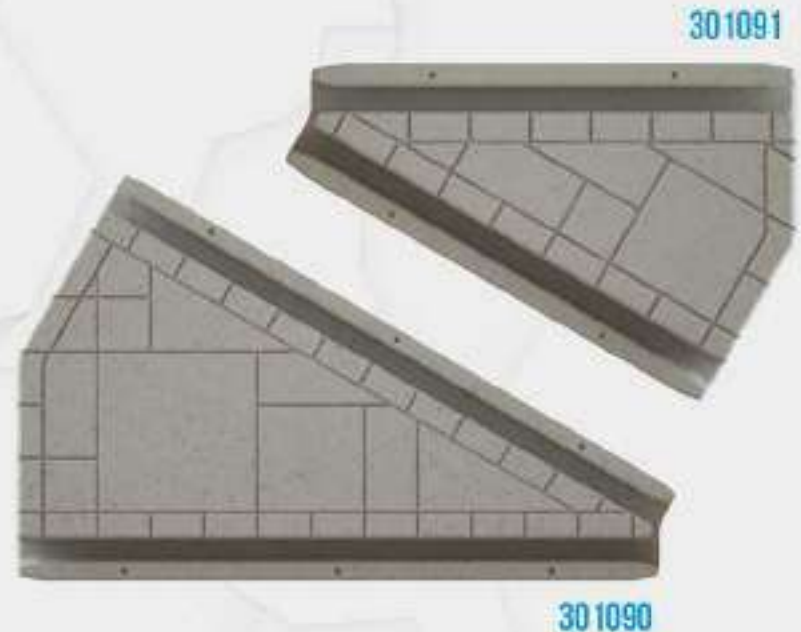
Dock Wedges are a 100% RotoMolded 1 piece design with Flagstone textured finish on both sides allowing for right or left side applications with Wave Dock sections.



DOCK WEDGE

40" & 60" DOCK WEDGE

ITEM #	DESCRIPTION	DIMENSIONS	WEIGHT	COLOR
301091	40" WAVE DOCK WEDGE	40" LONG	55 LBS.	PEBBLE BEACH
301090	60" WAVE DOCK WEDGE	60" LONG	80 LBS.	PEBBLE BEACH





DOCK RAMP

Wave Armor®'s hinged Dock Ramps create a flush, continuous walking surface from your dock to your beach or shoreline. Our Dock Ramps provide safe, easy, non-slip entry to your dock and are available in two sizes - 7 foot and 13 foot. Dock Ramps are 100% RotoMolded and feature Flagstone textured finish to match your Wave Dock System. The 13' ramp features a raised side lip and the ability to attach a railing for added comfort.

ITEM #	DESCRIPTION	SIZE
300055	7' DOCK RAMP	60" X 84"
301518	13' DOCK RAMP	60" X 152"



LOWER DECK SECTION

Wave Armor®'s Lower Deck Section is ideal for swimming, lounging or entering a small boat or kayak at water level and provides an additional point of entry or exit right near the water's edge.

The Lower Deck Section connects easily to a Wave Dock via an H-Beam channel.

ITEM #	DESCRIPTION	WEIGHT CAP
301096	LOWER DECK SECTION	400 LBS.



KAYAK ASSIST

The Wave Armor® Kayak Assist is a stationary aluminum rail and float system that provides stability when launching or exiting kayaks and canoes. The Kayak Assist mounts directly to the Wave Dock Lower Deck Section.

Kayak Assist Kit includes Lower Deck Section

ITEM #	DESCRIPTION	COLOR
301246	KAYAK ASSIST (RAIL AND FLOAT ONLY)	PEBBLE BEACH
301753	KAYAK ASSIST KIT (COMPLETE KIT)	PEBBLE BEACH



KAYAK ASSIST KIT



HD POST BRACKET KITS

Wave Armor® Heavy Duty Dock Post Bracket Kits are a functional and stylish way to secure your Wave Dock System with dock posts. Each kit slides easily into the channels of your Wave Dock System and comes with 2 Post Brackets and 2 Flush or Raised Pipe Sleeves depending on the size of your mooring pipe.

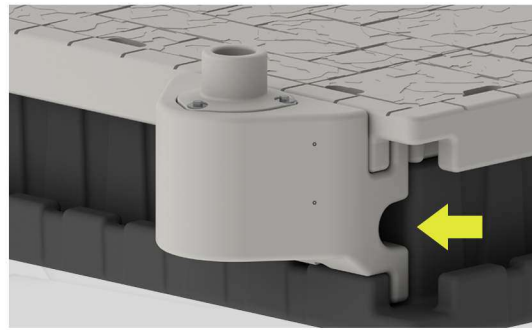
ITEM #	DESCRIPTION	INCLUDES
301526	2-INCH RAISED HD POST BRACKETS	2
301527	3-INCH FLUSH HD POST BRACKETS	2
301528	4-INCH FLUSH HD POST BRACKETS	2



ANCHOR CAP MOORING KIT

Our bottom-adjusting Anchor Cap Mooring Kit provides a secure attachment point for a submersive anchor chain or cable. *Includes: 1 Dock Post Bracket and 1 Poly Cap with Steel Receiver.*

ITEM #	DESCRIPTION	INCLUDES
300493	ANCHOR CAP MOORING KIT	1 KIT



UTILITY CHANNEL POST BRACKET KITS

Wave Armor® Utility Channel Dock Post Brackets Kits secure a Wave Armor Dock System with dock posts that allows for wires and cords to be concealed through the dock post bracket. Each kit comes with 2 Post Brackets and 2 Flush or Raised Pipe Sleeves depending on the size of your mooring pipe

ITEM #	DESCRIPTION	INCLUDES
301608	2-INCH RAISED UTILITY POST BRACKETS	2
301609	3-INCH FLUSH UTILITY POST BRACKETS	2
301610	4-INCH FLUSH UTILITY POST BRACKETS	2



HEAVY-DUTY ANCHOR PIN MOORING KIT

Our top adjusting Anchor Pin Mooring Kit provides a secure attachment point for a submersive anchor chain. *[Chain Not Included] Includes: 1 Dock Post Bracket and 1 Anchor Pin.*

ITEM #	DESCRIPTION	INCLUDES
301336	HD ANCHOR PIN MOORING KIT	1 KIT



8-INCH DOCK CLEAT

Secure your watercraft with Wave Armor's Dock Cleats. Cleats mount directly into integrated mounting inserts on both ends & sides of Wave Armor deck/float sections. Simple, and easy installation using the provided hardware.

ITEM #	DESCRIPTION	INCLUDES
301106	8 INCH NYLON DOCK CLEAT	2 CLEATS
300469	8 INCH STEEL DOCK CLEAT	2 CLEATS



10-INCH ALUMINUM DOCK CLEAT NEW

Secure your watercraft in style with our New 10" Aluminum Dock Cleat. This unique design mounts directly into integrated mounting inserts on all sides of Wave Armor Dock sections. Aluminum provides strong, durable cleat with simple and easy installation using the hardware provided.

ITEM #	DESCRIPTION	INCLUDES
301779	10 INCH DOCK CLEAT	2 CLEATS

ACCESSORIZE IN

STYLE

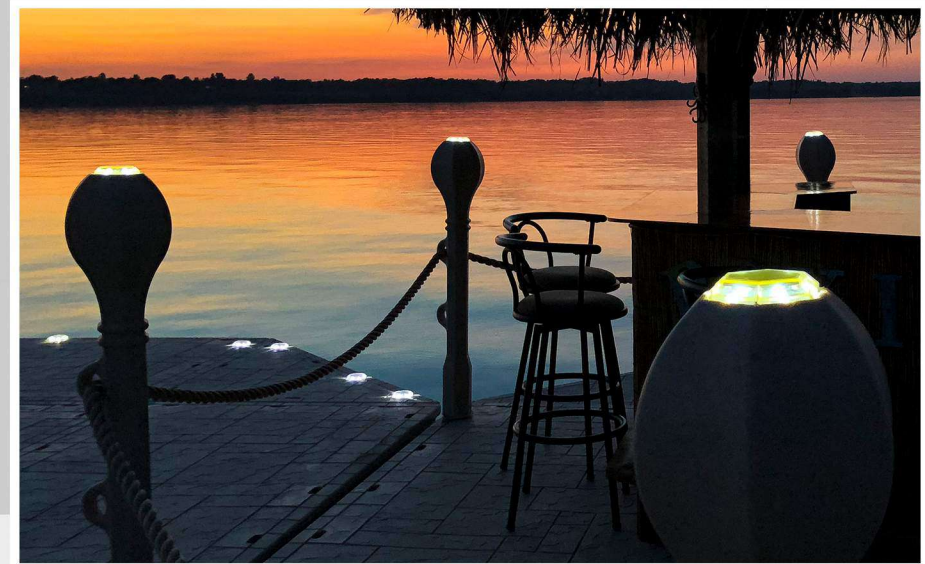
WAVE
Armor

WAVE ARMOR® DOCK ACCESSORIES

POST COVERS

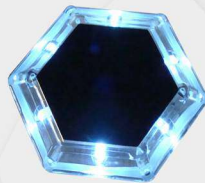
Unique and Stylish, Wave Armor® Dock Post Covers provide a safe cover over galvanized steel posts while providing a finished look to Wave Armor floating docks. Wave Armor offers three post cover models to fit your style. Heritage and Hex Post Covers feature recessed pockets on top to accommodate a Wave Armor Hex Solar Light. The Heritage design offers molded-in through holes for marine ropes, up to 1 1/2" thick.

Each Wave Armor Post Cover is constructed of RotoMolded, UV-protected polyethylene in the same "Pebble Beach" color that Wave Docks come in. Round, Hex and Heritage Post Covers are easy to install, simply slide over your existing dock Posts. Heritage Dock Post with H-Beam installs easily into the H-Beam channel of any Wave Dock section and is meant to be an additional holding point for marine ropes.



POST COVERS

WAVE DOCK POST COVERS



SOLAR DOCK LIGHTS
301126

ITEM #	DESCRIPTION	HEIGHT FROM DECK SURFACE	QTY.	COMPATIBILITY	* LED COMPATIBLE
301532	ROUND POST	52" TALL	2	SLIDES OVER PIPE	NO
301535	HEX POST COVER	53" TALL	2	SLIDES OVER PIPE	YES
301262	HERITAGE POST COVER	49.5" TALL	2	SLIDES OVER PIPE	YES
301278	HERITAGE DECORATIVE POST	49.5" TALL	2	WITH H-BEAM CONNECTION	YES
301126	SOLAR DOCK LIGHTS	-	2	301278, 301262, 301535	-



301278



301262



301535



301532

WAVE BUMPER DESIGNS

Wave Armor Dock Bumpers provide the ultimate protection for a wide range of boat docking applications. Standard bumpers are constructed of rugged polyethylene. Enhanced two-part bumpers feature a combination of polyethylene for unbeatable strength and a marine-grade vinyl insert, serving as a soft bumper cushion. Bumpers are available in a full line of sizes to fit your boat docking needs.



BUMPERS

VERTICAL & HORIZONTAL

ITEM #	DESCRIPTION	DIMENSIONS	APPLICATION	MATERIAL	INCLUDES
300069	HORIZONTAL BUMPER	24" L X 12" H X 8.5" D	SITS FLUSH WITH DOCK SURFACE EXTENDS 8.5" FROM DOCK	POLY	1 BUMPER
300120	VERTICAL BUMPER	19" H X 10" W X 9" D	EXTENDS 7.5" ABOVE DOCK SURFACE EXTENDS 9" FROM DOCK	POLY	1 BUMPER
301103	SMALL VERTICAL BUMPER	23" H X 10" W X 11.5" D	EXTENDS 12" ABOVE DOCK SURFACE EXTENDS 11.5" FROM DOCK	POLY	1 BUMPER
301511	SLIM VERTICAL BUMPER	32" H X 10" W X 5.5" D	EXTENDS 20" ABOVE DOCK SURFACE EXTENDS 5.5" FROM DOCK	POLY/ VINYL	1 BUMPER
300974	MED VERTICAL BUMPER	32" H X 10" W X 11.5" D	EXTENDS 20" ABOVE DOCK SURFACE EXTENDS 11.5" FROM DOCK	POLY/ VINYL	1 BUMPER
300975	LARGE VERTICAL BUMPER	42" H X 10" W X 11.5" D	EXTENDS 30" ABOVE DOCK SURFACE EXTENDS 11.5" FROM DOCK	POLY/ VINYL	1 BUMPER
301351	SLIM HORIZONTAL BUMPER	27" L X 15" H X 5.5" D	EXTENDS 3" ABOVE DOCK SURFACE EXTENDS 5.25" FROM DOCK	POLY/ VINYL	1 BUMPER





BENCHES

Wave Armor®'s Benches are designed with both traditional and contemporary styling, embodying both strength and elegance. Constructed of RotoMolded polyethylene, and featuring molded-in beverage holders and anchoring areas, Wave Armor's Outdoor Benches make a welcomed addition to any dock, patio, or lawn.

ITEM #	DESCRIPTION	COLOR
300014	4 FT DOCK BENCH	PEBBLE BEACH
301092	5 FT DOCK BENCH	PEBBLE BEACH
300016	6 FT DOCK BENCH	PEBBLE BEACH



DOCK BENCH ATTACHMENT SYSTEM

This attachment system allows for secure mounting of a Wave Armor® Dock Bench off the side of the dock, over the water, freeing up valuable dock space. The mounts are designed to slide into our channels around our Wave Dock sections. Includes: 2 Attachments.

ITEM #	DESCRIPTION	COLOR
300963	DOCK BENCH ATTACHMENT SYSTEM	PEBBLE BEACH



DOCK BENCH BOX

Providing lockable storage for life jackets and other essential on-the-water gear, the Wave Armor Dock Bench Box mounts to the back of a Wave Armor 5 or 6-foot Dock Bench, freeing up valuable dock space.

ITEM #	DESCRIPTION	COLOR
301093	DOCK BENCH BOX	PEBBLE BEACH





WAVE DOCK KAYAK RACK

The Wave Armor® Kayak Rack is a sturdy and stylish way to store your kayaks, canoes, paddle boards and water mats near the water where you use them. It is designed to hang off the side of your dock, freeing up valuable dock space. The rack is secured using our patented channel system and features molded-in loops on each arm for easy tie down.

ITEM #	DESCRIPTION	COLOR
300107	WAVE DOCK KAYAK RACK	PEBBLE BEACH



FOLDING DOCK LADDER

The Wave Armor® Folding Dock Ladder integrates perfectly with the H-Beam Channels of the Wave Dock System. Ladder can be placed on either side or end of a Wave Dock Section. Folds up and locks for easy storage when not in use.

ITEM #	DESCRIPTION	WEIGHT CAP
300081	FOLDING DOCK LADDER	400 LBS.



PLANTER NEW

The new Wave Armor® Planter is the perfect solution for adding flowers and a touch of color around your Wave Dock system. Made to drop in a 12" pot, this planter will create a dramatic foundation for flowers, greenery or grasses. Complete with T Plate for mounting to your Wave Armor dock, other docks, decks or other structures.

ITEM #	DESCRIPTION	COLOR
301776	PLANTER	PEBBLE BEACH





WAVE ARMOR SMART STEPS **NEW**

New Wave Armor® Smart Step Kit features two RotoMolded steps and mounting plate that mount easily to your dock and over your anchoring pipe. These stackable steps allow for multiple steps to be added on to accommodate the height of your boat.

ITEM #	DESCRIPTION	COLOR
301809	WAVE ARMOR SMART STEP KIT	PEBBLE BEACH
301645	WAVE ARMOR SINGLE SMART STEP	PEBBLE BEACH



BEACH KAYAK RACK

Store your kayaks, canoes, paddleboards and water mats on the beach, but off the sand with the Wave Armor Beach Kayak Rack. Universal design easily mounts to any base board or treated lumber. Convenient, sand free storage.

ITEM #	DESCRIPTION	WEIGHT
300108	BEACH KAYAK RACK	100 LBS.



UNIVERSAL DOCK KAYAK RACK

Wave Armor®'s Universal Dock Kayak/Canoe Rack fastens to the outside of the dock/pier without interfering with valuable dock space. This rack offers the utmost in storage convenience while featuring molded-in eye loops on each arm to allow for easy tie-down.

ITEM #	DESCRIPTION	WEIGHT
300109	UNIVERSAL DOCK KAYAK RACK	106 LBS.



JOIN THE JET SKI
DOCKING
REVOLUTION!



Wave
Armor

EVO & SLX WAVE PORTS

THE NEXT EVOLUTION IN JET SKI PORTS

With a passion and dedication for innovation, Wave Armor® continues to lead the industry with the Next Evolution of PWC Wave Ports, introducing the New EVO and EVO Sport Wave Ports. Evolution Series Ports are the easiest and largest drive on/roll off PWC ports on the market. RotoMolded, foam-filled and packed with features like soft urethane, wheels that can be moved and adjusted to fit your PWC hull and a “smart stop” soft rubber bow stop to hold your PWC if your entry is too fast. The EVO Series also includes a stainless steel chain and quick clip tie down system.

Our Evolution Series also features molded-in direct connect mounts allowing our port to hinge for easier loading and unloading. This can easily connect to your existing dock or set up as a standalone port.



EVO™ SPORT WAVE PORT

EVOLUTION SPORT

A low-profile, floating platform that has been designed for smaller PWCs such as Jet Ski®s, Sea-Doo® Sparks, Kawasaki® & Yamaha® Stand Up units and Yamaha® EX Series. Featuring the Direct connect system for ease of installation, the EVO sport can quickly and easily connect to your floating or fixed dock, or set up as a standalone port.

ITEM #	DESCRIPTION	DIMENSIONS	WEIGHT	WEIGHT CAP
301334	EVO SPORT	58"W X 11' L	180 LBS.	700 LBS.

EVO™ WAVE PORT

EVOLUTION WAVE PORT

EVO 6 is strategically designed with an extra 12" the on the platform, widest on the market, creating standing room while mounting/dismounting your PWC; it also creates a safe walking platform when walking to and from your Dock. Includes 1 Set of Snap-In Caps

ITEM #	DESCRIPTION	DIMENSIONS	WEIGHT	WEIGHT CAP
301575	EVO 5	59.5"W X 14.4'L	300 LBS.	1500 LBS.
301576	EVO 6	72"W X 14.4'L	340 LBS.	2000 LBS.



* Jet Ski, Sea-Doo, and Yamaha are registered trademarks of their respective owners.

EVO™

SPORT WAVE PORT



EVO™ SPORT PWC WAVE PORT



EVO SERIES WAVE PORTS

DIRECT CONNECT SYSTEM



EVO™ TO WAVE DOCK KIT

This receiver bracket is a 1-piece mount that slides directly in the the H-Beam Channel of our Wave Dock System, making it the easiest and fastest connection system on the market. Includes: 2 Poly Receiver Brackets.

ITEM #	DESCRIPTION	COLOR
301347	EVO TO WAVE DOCK KIT	TAN



EVO™ TO FLOATING DOCK KIT

These heavy-duty galvanized c-channel brackets allow for direct mount to a floating structure.

Includes: 2 Galvanized Steel C-Channel

ITEM #	DESCRIPTION	SIZE
301360	EVO TO FLOATING DOCK KITS	25 3/4"



PORT TO FIXED DOCK KIT

Secures Wave Ports to a traditional dock or seawall utilizing galvanized steel Z-brackets and U-bolts.

This connection kit works with all Wave Armor PWC ports. Includes: 2 Z-Brackets and U-Bolts

ITEM #	DESCRIPTION	SIZE
301281	WAVE PORT TO FIXED DOCK KIT	2-INCH
301282	WAVE PORT TO FIXED DOCK KIT	4-INCH
NOTE:	PIPE SLEEVES ARE REQUIRED	



MORE
EVO
ACCESSORIES
AVAILABLE ONLINE



VISIT WAVEARMOR.COM



ENGINEERED

EXCELLENCE!

WAVE
Armor

SLX SERIES WAVE PORTS

TIME-TESTED, PROVEN DESIGN.

Wave Armor SLX Series was the first in the industry to create a foam-filled inner core design and a fully adjustable, individual roller system. This proprietary design offers more stability than the competition, with extra room allowing riders to safely and effortlessly move around their personal watercraft.

The SLX series Wave Ports have redefined the industry by designing the easiest to use, most durable and feature-rich jet ski docking systems on the market. All Wave Armor wave ports feature our non-skid Flagstone pattern for unsurpassed beauty that you can see and feel.



SLX5™ PWC WAVE PORT

SLX5™ WAVE PORT

is designed to allow two ports to be attached side by side, fitting perfectly into a 10-Foot slip. Multiple installation options make this the most versatile port on the market.

ITEM #	DESCRIPTION	DIMENSIONS	WEIGHT	WEIGHT CAP
300954	SLX5™	59" W X 12'8" L	286 LBS.	1500 LBS.

SLX6™ PWC WAVE PORT

SLX6™ WAVE PORT

is designed with an extra 12" on each side of the platform, allowing a safe and stable environment for fueling, maintenance and walking from port to dock.

ITEM #	DESCRIPTION	DIMENSIONS	WEIGHT	WEIGHT CAP
300957	SLX6™	72" W X 12'8" L	321 LBS.	1800 LBS.



DIRECT CONNECT SYSTEM



SLX PORT TO WAVE DOCK

Get the most out of your Wave Dock system with this proprietary attachment kit that allows you to seamlessly connect your SLX Port to your Wave Dock, using our patented H-Beam system.

ITEM #	DESCRIPTION	INCLUDES
300998	SLX PORT TO WAVE DOCK KIT	2 ATTACHMENTS



SLX TO FLOATING DOCK KIT

This mounting kit allows you to mount our SLX PWC Ports to any floating dock with the use of our universal galvanized c-channel mounting brackets.

Includes: 2 Poly Connectors, 2 Galvanized C-Channel Mounting Brackets

ITEM #	DESCRIPTION	SIZE
301308	SLX TO FLOATING DOCK KIT	19 3/4"
301309	SLX TO FLOATING DOCK KIT	25 3/4"



PIPE MOUNT TO FIXED DOCK KIT

This heavy-duty bracket adjusts 16" - 24" and mount the SLX PWC Port to a non-floating, fixed dock while allowing the PWC Port to move with the changing water levels.

Includes: 2 Aluminum Pipe Mounts, Brackets w/U-Bolts.

ITEM #	DESCRIPTION	SIZE
301434	PIPE MOUNT TO FIXED DOCK KIT	2-INCH
301435	PIPE MOUNT TO FIXED DOCK KIT	4-INCH
NOTE:	PIPE SLEEVES ARE REQUIRED	



MORE
SLX
ACCESSORIES
AVAILABLE ONLINE



VISIT WAVEARMOR.COM

An aerial photograph of a speedboat with a colorful, flame-like pattern docked at a wooden pier. A person is visible on the boat. The pier has several blue fenders and white bollards. The water is a deep blue-green.

BOAT DOCKING

REDEFINED!

WAVE
Armor

SLX10™ BOAT PORT

THE ULTIMATE WAY TO DOCK YOUR BOAT!

The advantages of the revolutionary SLX10 Boat Ports by Wave Armor® are in the details, providing best-in-class stability and durability. Filled with EPS for structural integrity, Wave Ports are virtually unsinkable. Constructed of durable RotoMolded polyethylene with built-in UV protection, they will last for years without failing or fading.

Wave Armor's self-centering customizable multiple-roller-wheel system handles the heavy lifting with ease. While the foam-filled adjustable bunks stabilize the vessel and assist in loading and launching. Specially designed connection pins allow each section freedom of movement for exceptional performance. Keel rests provide a natural brake for securing vessel in place.

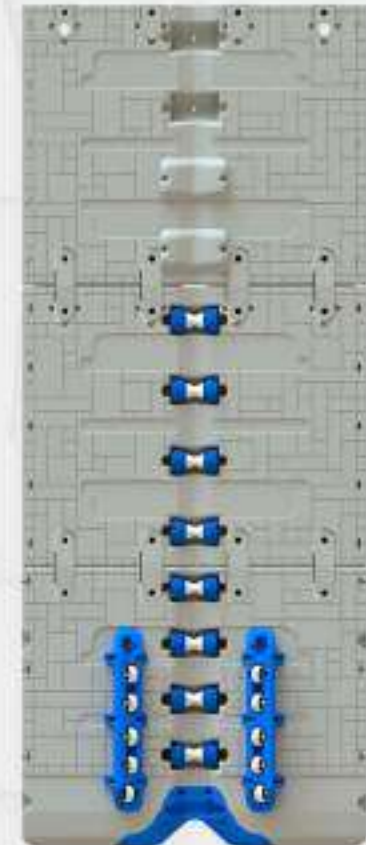


SLX 10™

BOAT PORT

SLX10™ self-leveling floating boat port is the ideal docking platform to store your boat and keep it clean and secure. Its modular design can accommodate boats 18' to 28' in length and the simple drive on, drive off process makes it a perfect alternative to conventional boat lifts.

ITEM #	DESCRIPTION	DIMENSIONS	LOAD CAP	WEIGHT	DECKS	CONNECTORS	KEEL ROLLERS
301099	SLX10 3 PIECE	24'L X 10'W	7,500 LBS.	1,552 LBS.	1 ENTRANCE 2 MAIN	16 PINS	8 HD KEEL ROLLERS 2 BUNKS W/8 ROLLERS 2 KEEL RESTS
301098	SLX10 2 PIECE	16'L X 10'W	4,900 LBS.	1,020 LBS.	1 ENTRANCE 1 MAIN	8 PINS	6 HD KEEL ROLLERS 2 BUNKS W/8 ROLLERS 1 KEEL REST
301100	SLX10 1 PIECE	8'L X 10'W	2,650 LBS.	480 LBS.	1 MAIN	8 PINS	2 HD KEEL ROLLERS 1 KEEL REST



DIRECT CONNECT SYSTEM



SLX10™ TO WAVE DOCK

The direct connect receiver bracket is a robust one-piece mount that slides directly into the H-Beam channel of the Wave Dock creating a stylish yet durable connection.

ITEM #	DESCRIPTION	INCLUDES
301346	SLX10 DIRECT CONNECT TO WAVE DOCK	2 HD POLY RECEIVERS



SLX10™ PIPE SLEEVES AND PLUGS

Replaceable pipe sleeves accommodate 2" and 3" pipes and are engineered to absorb the everyday wear and tear associated with pipe mount installations. Front plugs cover the unused molded-in mounting pockets for a smooth surface.

ITEM #	DESCRIPTION	INCLUDES
301746	2" PIPE SLEEVES	2 PIPE SLEEVES
301747	3" PIPE SLEEVES	2 PIPE SLEEVES
301749	SLX10 FRONT PLUG KIT	2 FRONT PLUGS



SLX10™ TO FLOATING DOCK

Two heavy-duty poly brackets marry together creating a hearty connection receiver that attaches to the aluminum c-channels which are secured to the floating dock structure.

ITEM #	DESCRIPTION	INCLUDES
301329	SLX10 TO FLOATING DOCK	2 ALUMINUM C CHANNELS 4 POLY CONNECTORS



SLX10™ PIPE MOUNT TO FIXED DOCK

Aluminum Brackets easily fasten to fixed docks and can adjust 24" - 42" allowing for a custom installation. Pipes secure to brackets with U-Bolts and feed through poly sleeves allowing the SLX10™ to move freely in fluctuating water levels.
Note: Requires 2" or 3" Pipe sleeves, sold separately.

ITEM #	DESCRIPTION	INCLUDES
301409	TELESCOPING SLX10 TO FIXED DOCK KIT - 2"	2 ALUMINUM BRACKETS
301410	TELESCOPING SLX10 TO FIXED DOCK KIT - 4"	2 ALUMINUM BRACKETS



MORE SLX10™ ACCESSORIES AVAILABLE ONLINE
 VISIT WAVEARMOR.COM



YOUR VERY OWN

ISLAND

PARADISE!

WAVE
Armor

OTTER ISLAND SWIM RAFT

ESCAPE TO YOUR ISLAND!

Youngsters and the young at heart alike love the Wave Armor Otter Island Swim Raft, the perfect warm-weather escape for recreation and relaxation. RotoMolded construction for a tough, weatherproof exterior that won't fade, crack or rust. The Island Swim Raft features a foam-filled interior that creates a strong and stable raft for years of enjoyment.

Every aspect of the Island Swim Raft was specifically designed with safety in mind – a non-slip surface; smooth, rounded corners; a no-scrape, no-pinch ladder; and a pontoon-style bottom for stability. The Island Swim Raft also features adjustable backrests with storage space underneath, a pop-up table with beverage holders and an opening for an added umbrella.



OTTER ISLAND

SWIM RAFT

ITEM #	DESCRIPTION	BODY COLOR	SEATBACKS & TABLE	DIMENSIONS	WEIGHT CAP
300072	ISLAND SWIM RAFT	BEIGE	BLUE	8'W X 10'L	3,000 LBS.
300073	ISLAND SWIM RAFT	BEIGE	GREEN	8'W X 10'L	3,000 LBS.
300075	ISLAND SWIM RAFT	YELLOW	BLUE	8'W X 10'L	3,000 LBS.
300076	ISLAND SWIM RAFT	YELLOW	GREEN	8'W X 10'L	3,000 LBS.
300003	SWIM RAFT ANCHOR	YELLOW	-	-	140 LBS.
300474	ANCHOR CLEVIS KIT	-	-	-	-

Additional Limited Edition colors may be available. See your local dealer or visit www.wavearmor.com



300076



300072



300073



300075



300474



300003

DESIGNED FOR FUN!

Wave Armor sit-on-top-style recreational kayaks are fun, comfortable and ultra-stable. Designed for use on lakes and slower-moving rivers by paddlers of all ages and abilities.

Built from high-impact, weatherproof, RotoMolded Polyethylene with built-in UV Protection, Wave Armor Kayaks will provide excitement for paddlers for years to come. Features include: spacious cockpit; rear compartment with molded-in tie-down eyelets; molded-in beverage holder; molded-in foot rests; molded-in handles on both ends and molded-in finger grips on both sides.



CRUIZER KAYAK

CRUIZER KAYAK is Wave Armor's standard model Kayak featuring a molded-in seat to accommodate users of most heights, and also a rear storage deck with molded-in tie-downs to hold coolers, tackle boxes, etc. The perfect entry-level kayak for beginners as it is compact and easy to maneuver.

ITEM #	COLOR	DESCRIPTION	OVERALL DIMENSIONS	COCKPIT DIMENSIONS	WEIGHT	WEIGHT CAP
300440	BLUE	CRUIZER KAYAK	8'6" L X 30" W X 15" D	4' L X 23" L X 6" D	36 LBS.	200 LBS.
300441	YELLOW	CRUIZER KAYAK	8'6" L X 30" W X 15" D	4' L X 23" L X 6" D	36 LBS.	200 LBS.



IMPULSE KAYAK

IMPULSE KAYAK is Wave Armor's deluxe model Kayak featuring an adjustable neoprene seat cushion for added support, and also a rear storage compartment with molded-in tie-downs to hold coolers, lifejackets and more. The Impulse Kayak provides an excellent platform for extended trips around the lake, allowing the rider to paddle with ease and exceptional comfort.

ITEM #	COLOR	DESCRIPTION	OVERALL DIMENSIONS	COCKPIT DIMENSIONS	WEIGHT	WEIGHT CAP
300442	BLUE	IMPULSE KAYAK	10' L X 32" W X 10" D	4' L X 23" W X 6" D	45 LBS.	300 LBS.
300443	YELLOW	IMPULSE KAYAK	10' L X 32" W X 10" D	4' L X 23" W X 6" D	45 LBS.	300 LBS.



Additional Limited Edition colors may be available. See your local dealer or visit wavearmor.com

WAVE ARMOR® COOLERS FEATURE:

- ROTOMOLDED HIGH IMPACT POLYETHYLENE CONSTRUCTION
- PRESSURE INJECTED POLYURETHANE INSULATION
- ALUMINUM CORE FOAM ENCASED HANDLES
- SALTWATER APPROVED HINGE PINS AND HARDWARE
- QUICK RELEASE COMPRESSION LID LATCHES
- QUICK - TURN DRAIN PLUG WITH GASKET
- FREEZER QUALITY LID BASKET
- HOLD - FAST TIE DOWN SLOTS
- SECURE PADLOCK THRU HOLES
- NON - SLIP, NON - MARKING FEET



COOLERS

IGBC CERTIFIED

WAVE ARMOR® COOLERS

Wave Armor® Coolers are designed with RotoMolded construction, producing the ultimate in strength and durability. Undergoing rigorous testing and receiving official approval by the IGBC as a Certified Bear Resistant product, Wave Armor coolers are clearly built to last.

32 QT. COOLER

ITEM #	DESCRIPTION	OUTSIDE DIMENSIONS	COLOR	WEIGHT
301548	22 QT. COOLER	20.5" L X 15" W X 14.5" H	WHITE	17 LBS.
301549	22 QT. COOLER	20.5" L X 15" W X 14.5" H	BLUE	17 LBS.
301550	32 QT. COOLER	20.5" L X 15" W X 19.25" H	WHITE	20 LBS.
301551	32 QT. COOLER	20.5" L X 15" W X 19.25" H	BLUE	20 LBS.
301034	42 QT. COOLER	27" L X 17" W X 16.5" H	WHITE	27.5 LBS.
301316	42 QT. COOLER	27" L X 17" W X 16.5" H	BLUE	27.5 LBS.
301552	62 QT. COOLER	32" L X 19.25" W X 18" H	WHITE	38 LBS.
301553	62 QT. COOLER	32" L X 19.25" W X 18" H	BLUE	38 LBS.

Additional Limited Edition colors may be available. See your local dealer or visit wavearmor.com





ENHANCE
YOUR WATERFRONT
LIVING!

**Wave
Armor**

RESIDENTIAL | COMMERCIAL FLOATING DOCKS, PORT SYSTEMS & MARINE ACCESSORIES

411 CONGRESS ST. W. | MAPLE LAKE, MN 55358

WWW.WAVEARMOR.COM | 877-832-6945

© COPYRIGHT 2018 - IOS, LLC - ALL RIGHTS RESERVED.

STAY CONNECTED:

